



WINLET 785

Simpler lifting for enhanced productivity and safety.

The **Winlet 785** combines pick and carry and lifting duties in one reliable machine. Glazing or glass panels weighing up to 785kg can be lifted, and installed with ease.



785kg max lifting capacity

Technical Specifications	
Max Lifting Capacity	785kg
Lift Height	3970mm
Max Extension from front bumper to suction cup	2500mm
Extension Capacity - at max extension	100kg
Side Lift Capacity	275kg
Tilt Function	180°
Rotation	180°
Linear	75mm
Fine Lift on Jib Head	200mm
Suction Cups (Glass)	4 @ 410mm
Total Machine Weight	1422kg
Light Weight - excluding counterweights	1142kg
Battery	2x 150AH
Remote Control	Wired

Accessories

- Wireless Radio Remote
- Support Legs
- Twin Wheels
- Quick Connector Set for Suction Cups
- Drive Alarm
- LED Flashing Beacon
- Protective Cup Covers
- Remote Control Cover
- Drive Handle Cover
- All Weather Protection Kit
- Stone Suction Cups



Intelligent load monitoring protects the operator and the load



Multifunction control panel with integrated buttons and signal lights



Easy to adapt to carry other materials including: granite, concrete, plasterboards, steel panels or plates, tiles, wooden panels & doors

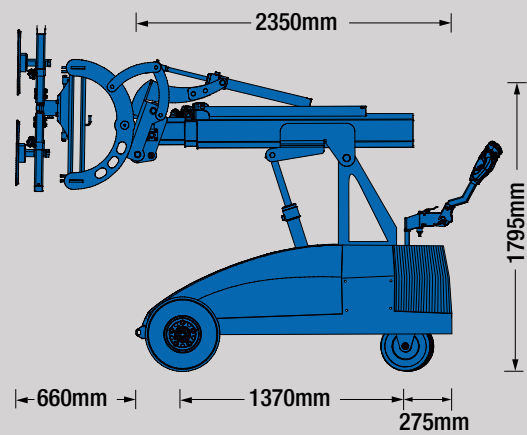
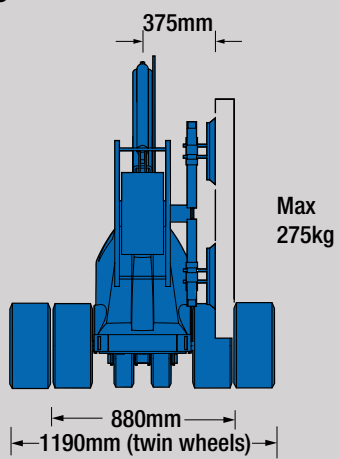


Twin wheels for rough terrain (optional)

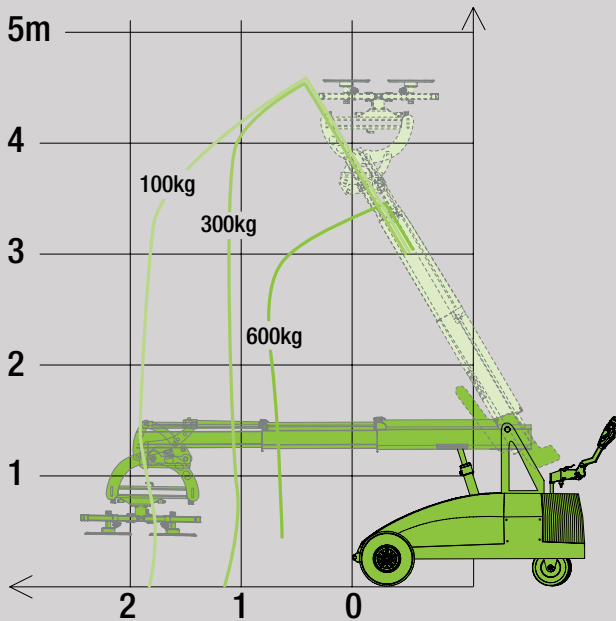


Compact design makes the Winlet 785 suitable for operating in confined spaces and transported in construction hoists

Dimensions



Pick up and place



Reach

