

Product Specification Sheet

Pivot Patches | Primeline Overpanel Pivot Patch

Sheet Notes

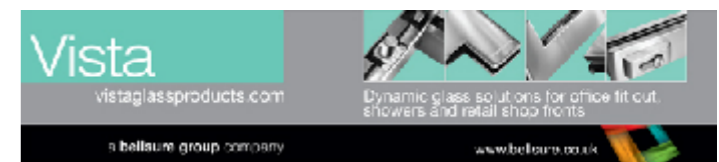
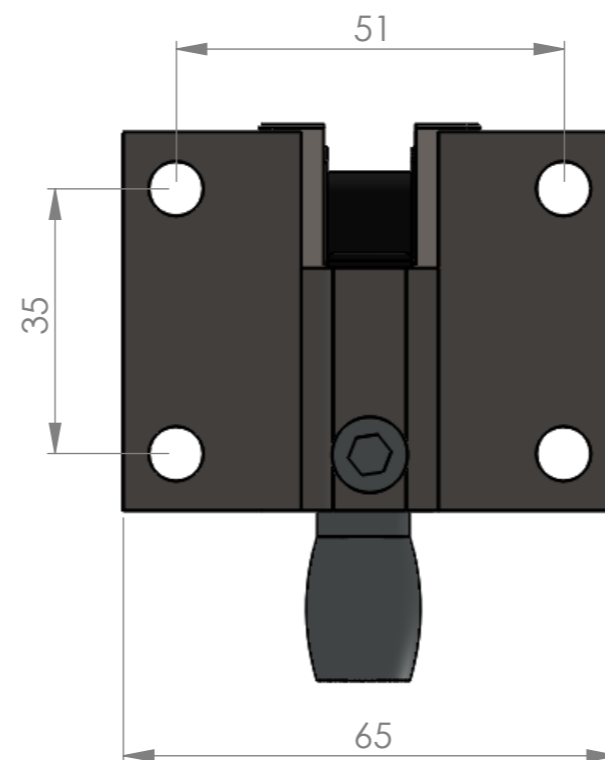
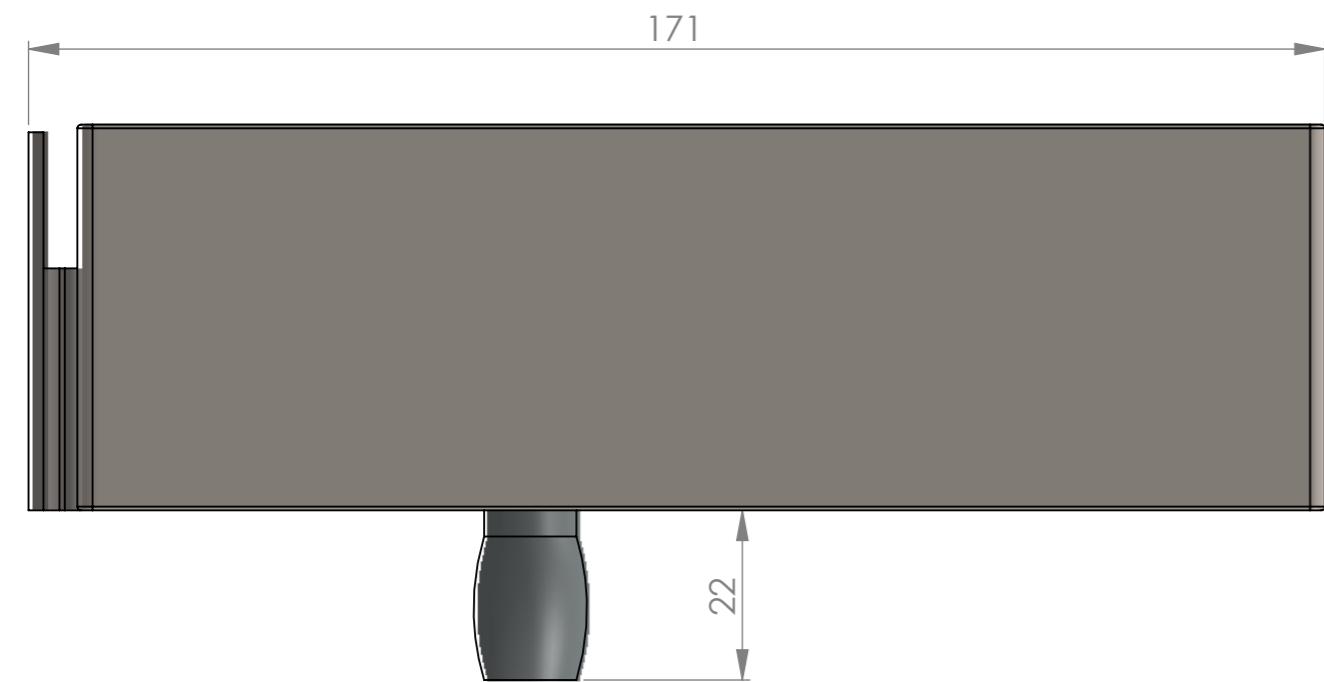
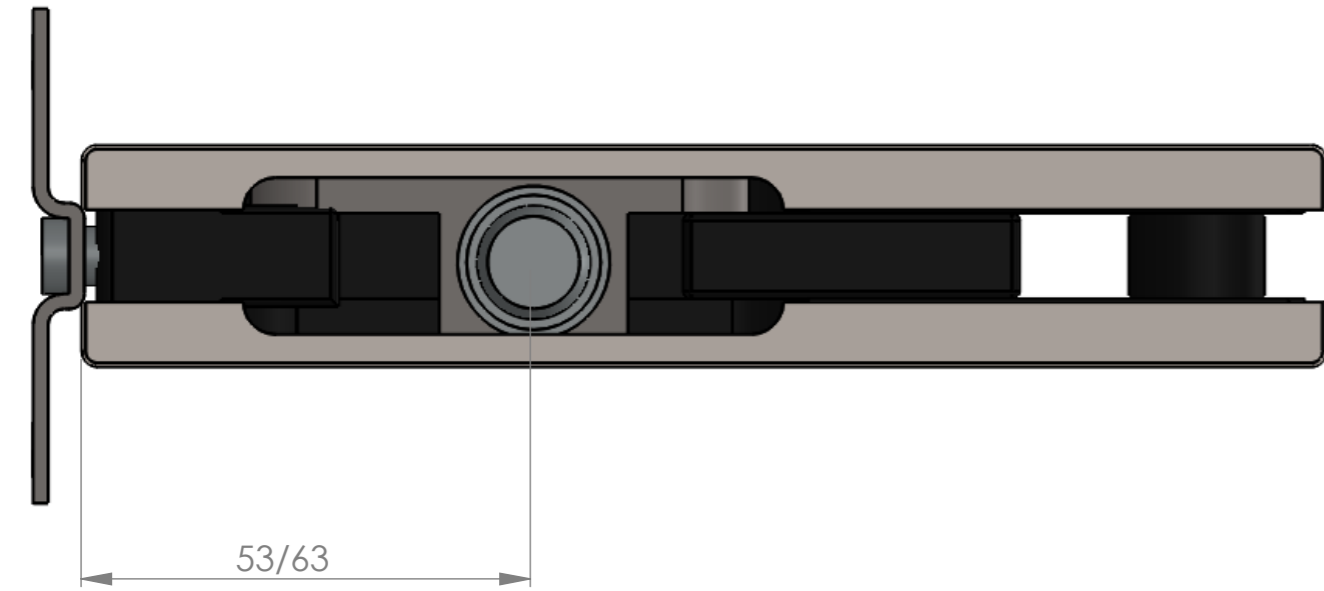
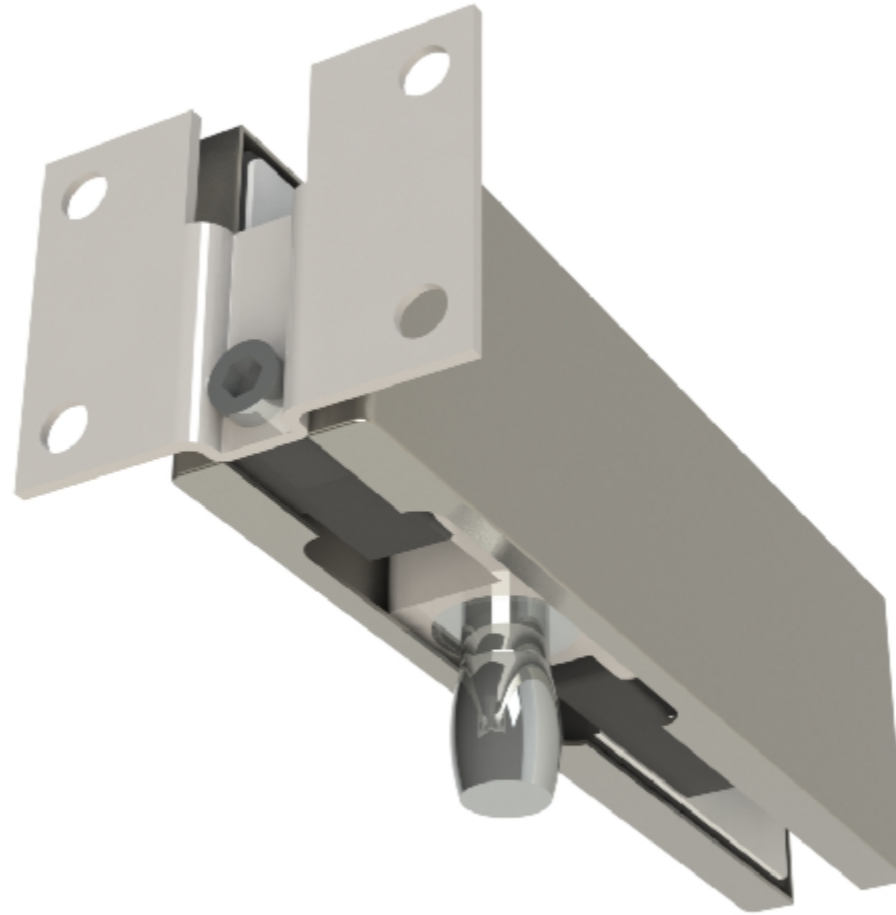
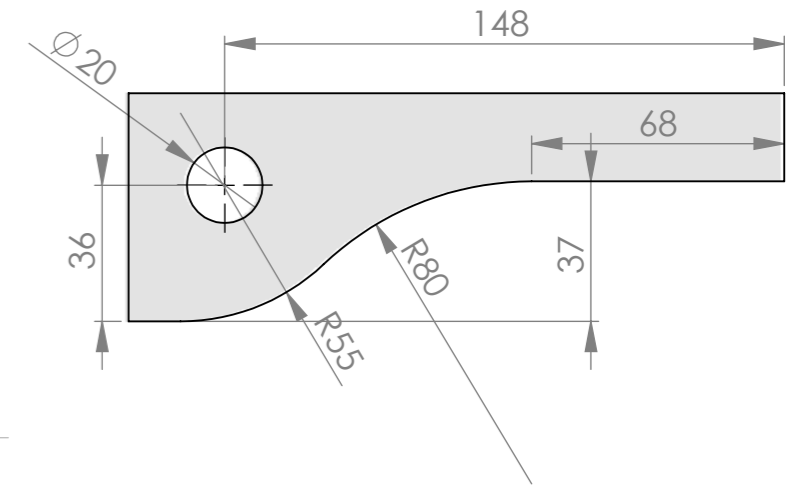
- All dimensions are in mm unless otherwise stated
- Any dimensions scaled from this drawing are taken at readers own risk

Product Key Features

Material Finish: Brushed Stainless Steel
 Handing: Non Handed
 Packaging: Each

Glass Preparation Details

Scale: 1:2



01483 568287 | 01483 540830
 enquiries@vistaglassproducts.com

PRODUCT NAME:	PART NO.:
Overpanel Pivot Patch	PL30
DRAWING	

SCALE: 1:1 SHEET SIZE: A3 DRAWN BY: BK CHECKED BY: MJ DATE: 20/05/13
 PROJECT NO. DRAWING NO.