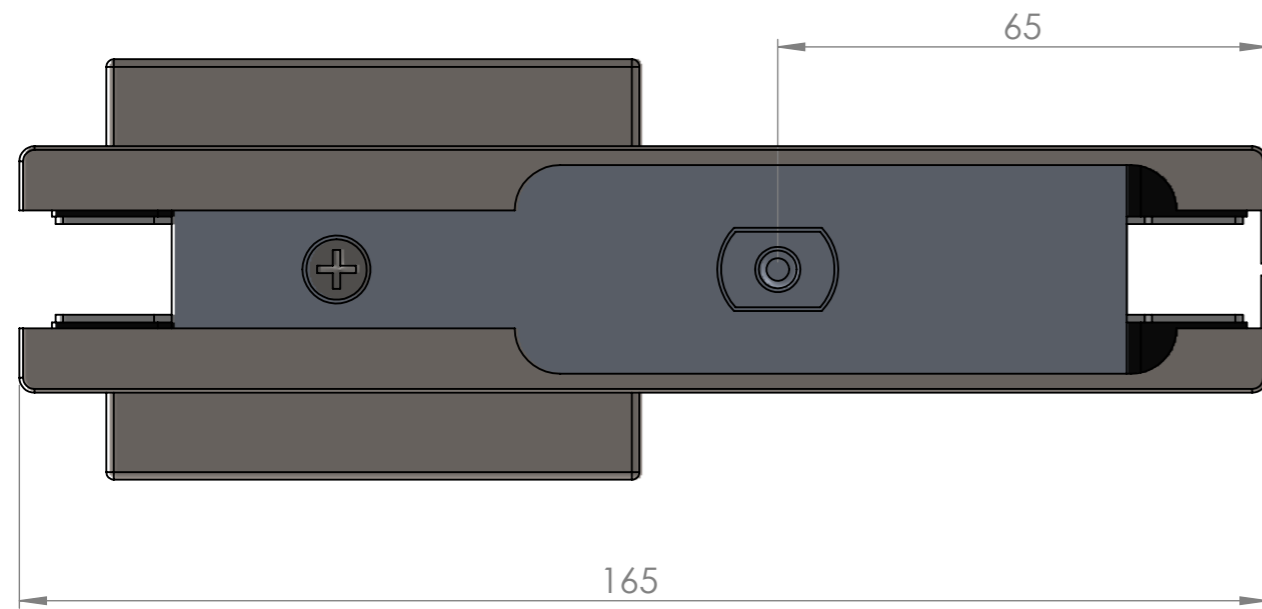


# Product Specification Sheet

## Locks | Primeline Corner Lock



### Sheet Notes

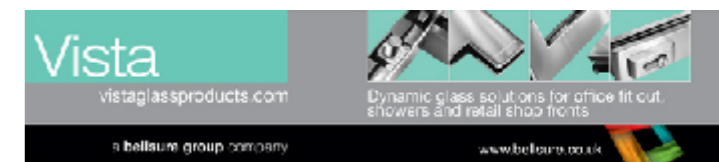
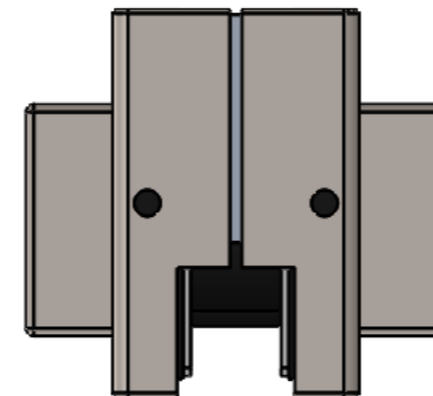
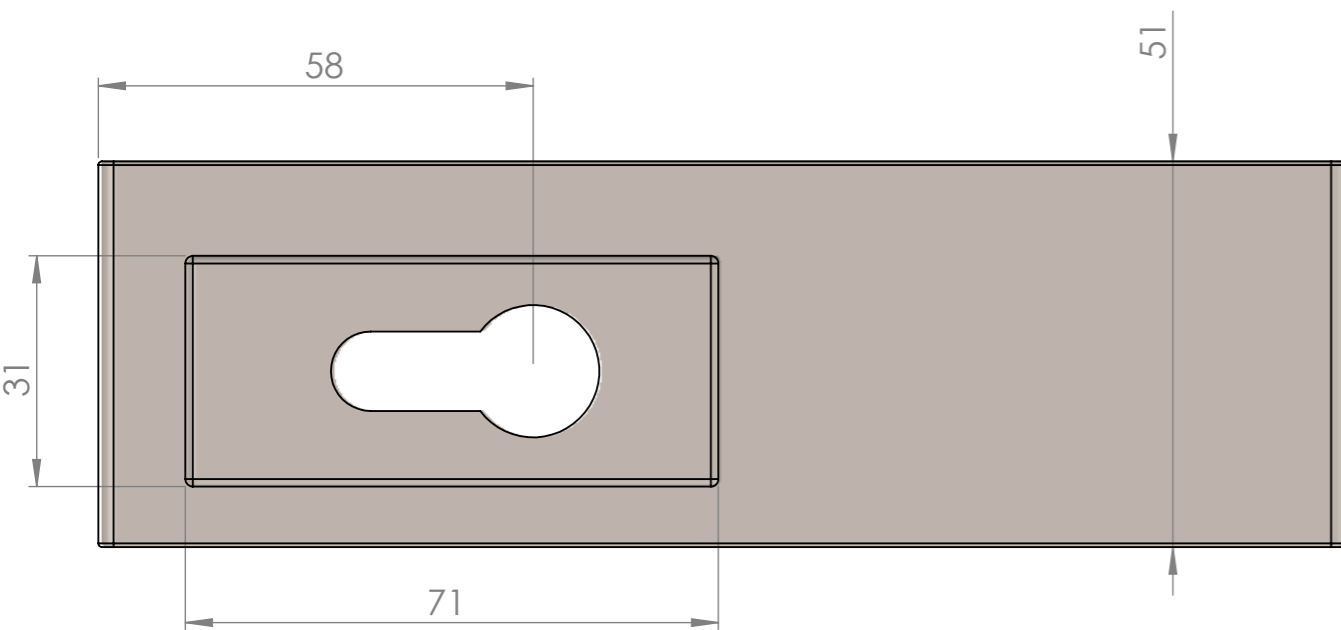
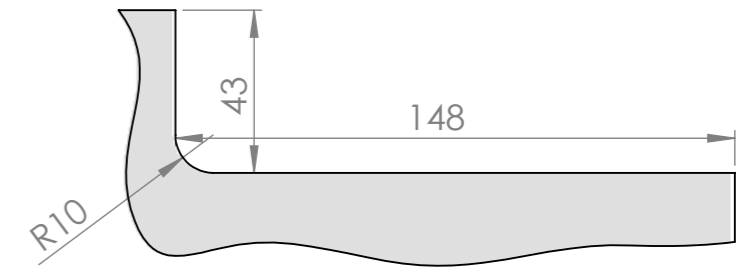
- All dimensions are in mm unless otherwise stated
- Any dimensions scaled from this drawing are taken at readers own risk

### Product Key Features

Material Finish: Brushed/Polished Stainless Steel  
 Handing: Non Handed  
 Packaging: Each

### Glass Preparation Details

Scale 1:2



01483 568287 | 01483 540830  
 enquiries@vistaglassproducts.com

PRODUCT NAME: <b>Corner Lock</b>	PART NO. <b>USP10</b>
-------------------------------------	--------------------------

DRAWING	
---------	--

SCALE: 1:1	SHEET SIZE: A3	DRAWN BY: BK	CHECKED BY: MJ	DATE: 20/05/13
PROJECT NO.	DRAWING NO.			