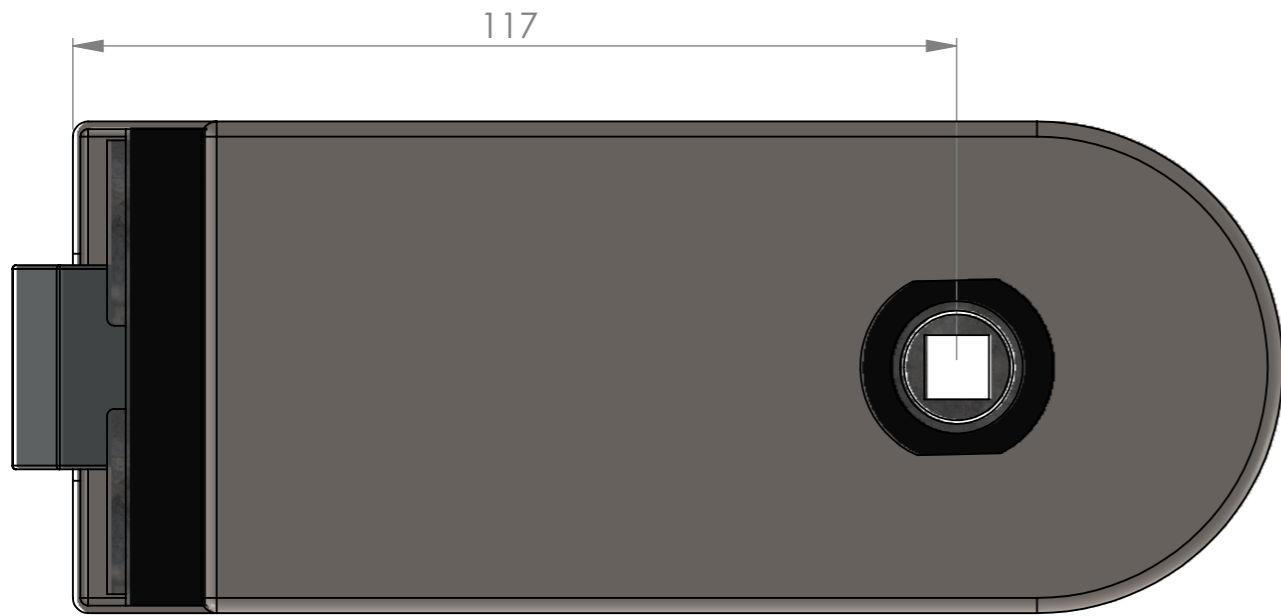


# Product Specification Sheet

## Locks | Primeline Non Locking Latch



### Sheet Notes

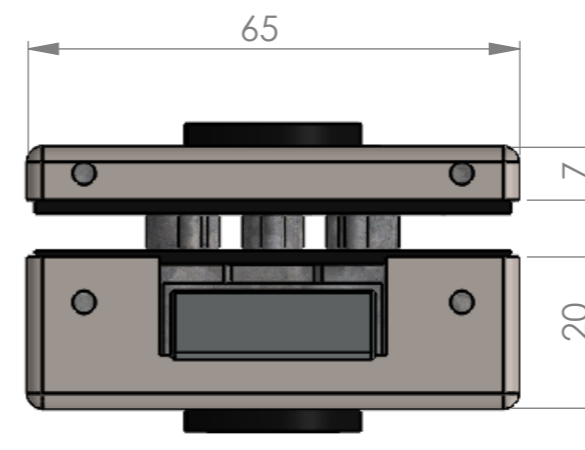
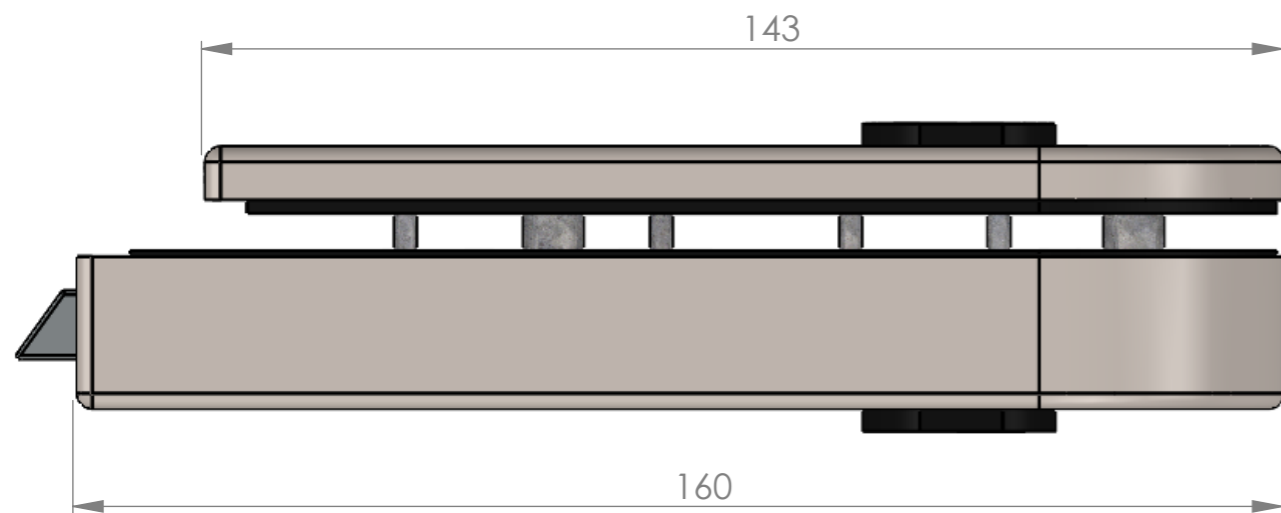
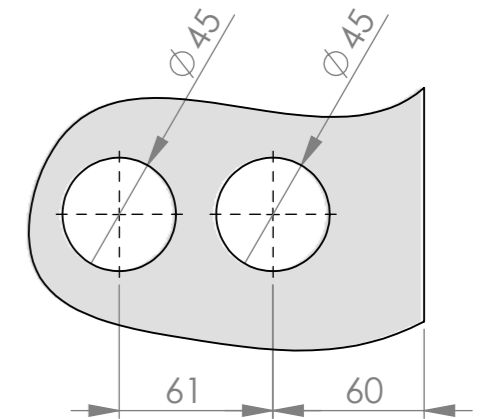
- All dimensions are in mm unless otherwise stated
- Any dimensions scaled from this drawing are taken at readers own risk

### Product Key Features

Material Finish: Brushed/Polished Stainless Steel Grade 304  
 Handing: Non Handed  
 Packaging: Each

### Glass Preparation Details

Scale 1:2



☎ 01483 568287 | 📠 01483 540830  
 enquiries@vistaglassproducts.com

PRODUCT NAME:	PART NO.:
<b>Non Locking Latch</b>	<b>PL200</b>
DRAWING	

SCALE: 1:1    SHEET SIZE: A3    DRAWN BY: BK    CHECKED BY: MJ    DATE: 20/05/13  
 PROJECT NO.    DRAWING NO.