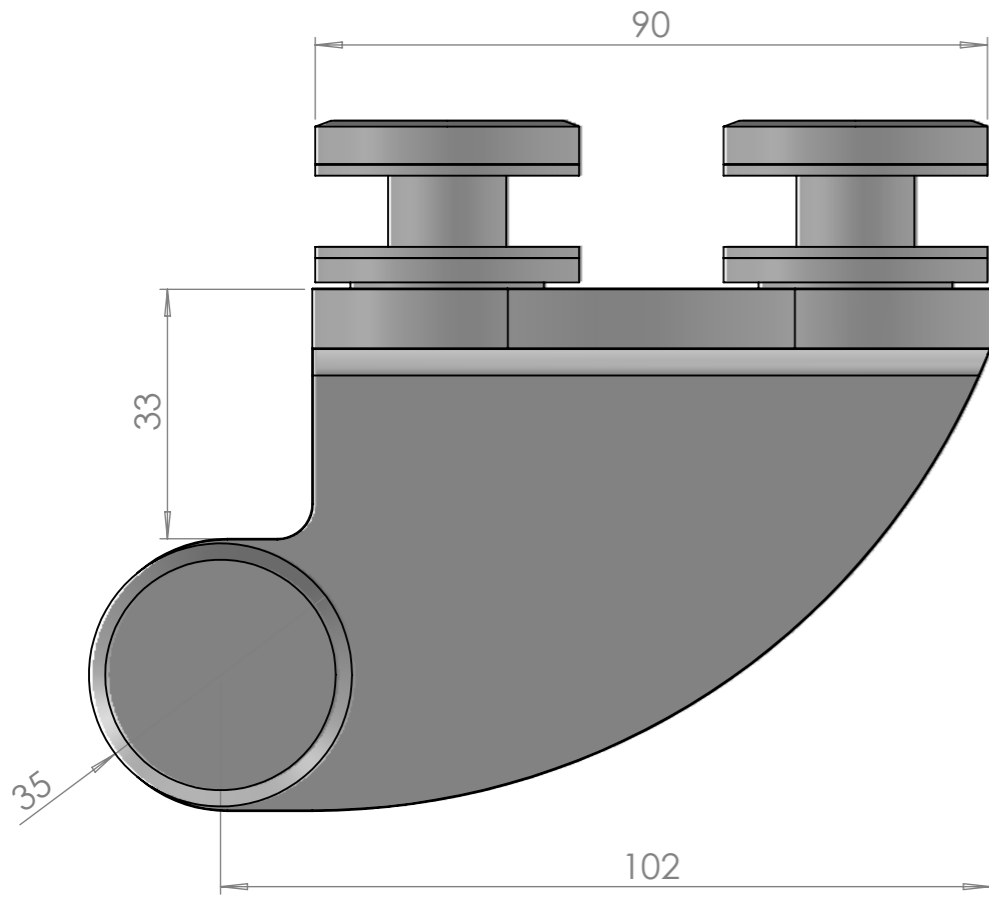


Product Specification Sheet

Pivots | Primeline Offset Bottom Pivot - Left Hand



Sheet Notes

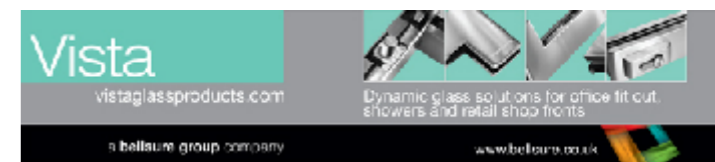
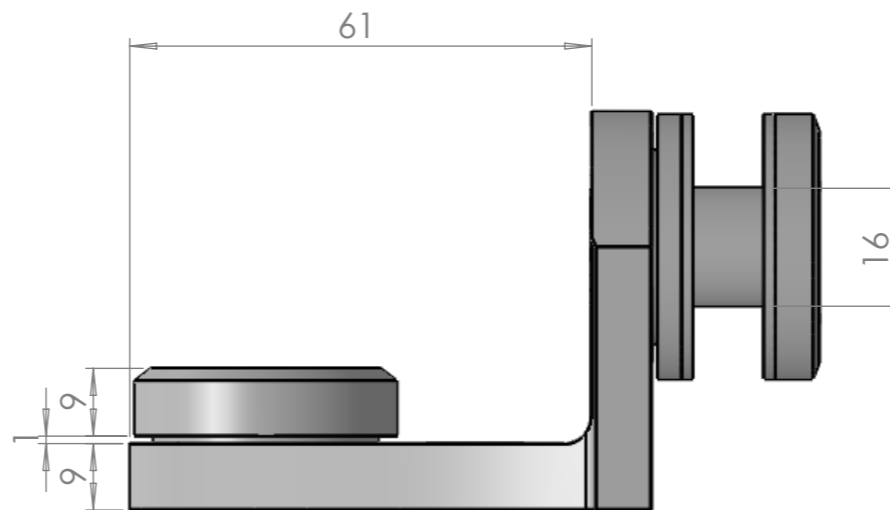
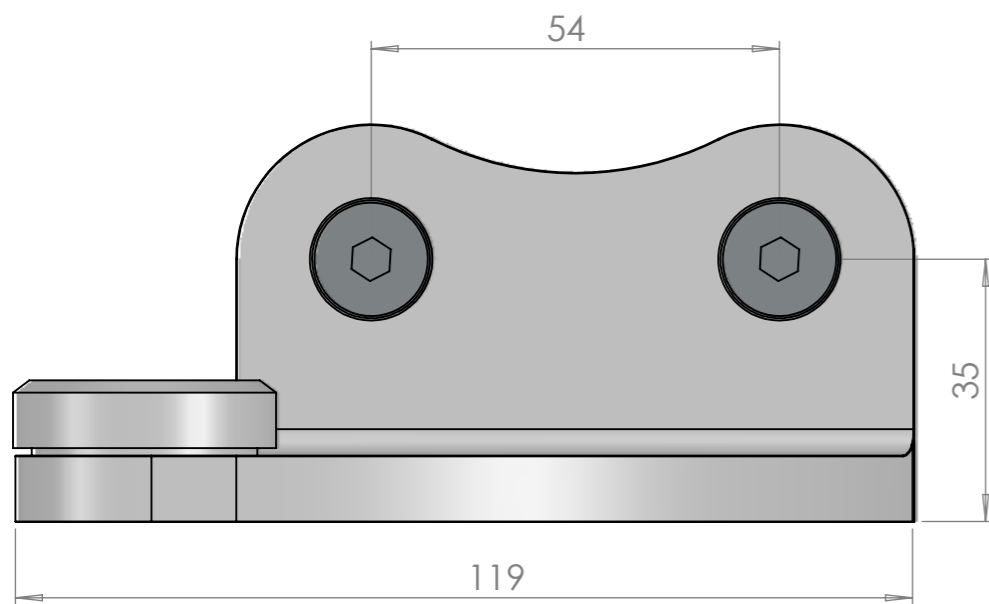
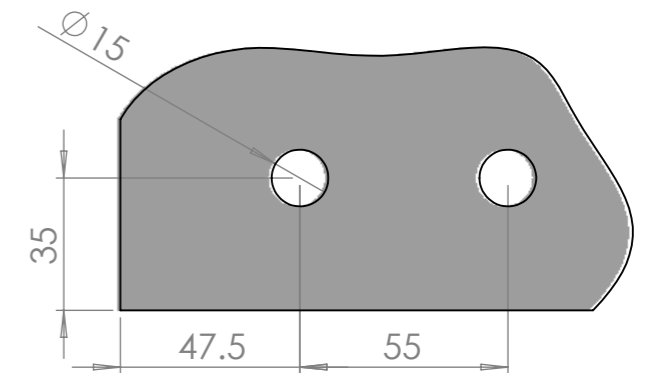
- All dimensions are in mm unless otherwise stated
- Any dimensions scaled from this drawing are taken at readers own risk

Product Key Features

Material Finish:	Stainless Steel Grade 304
Max Door Weight:	100kg
Max Door Width:	1100mm
Handing:	DIN LH
Glass Thickness Compatibility:	10mm or 12mm

Glass Preparation Details

Scale 1:2



01483 568287 | 01483 540830
enquiries@vistaglassproducts.com

PRODUCT NAME:	PART NO.:
Offset Bottom Pivot - Left Hand	PL106

DRAWING

SCALE: 1:1 SHEET SIZE: A3 DRAWN BY: BK CHECKED BY: MJ DATE: 20/05/13
PROJECT NO. DRAWING NO.