

# Product Specification Sheet

## Hinges | Lift-off Glass Hinge

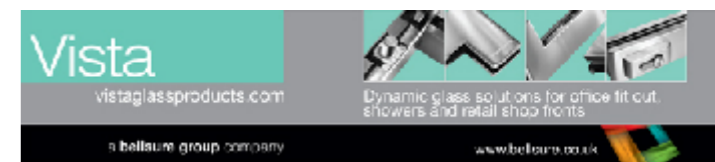
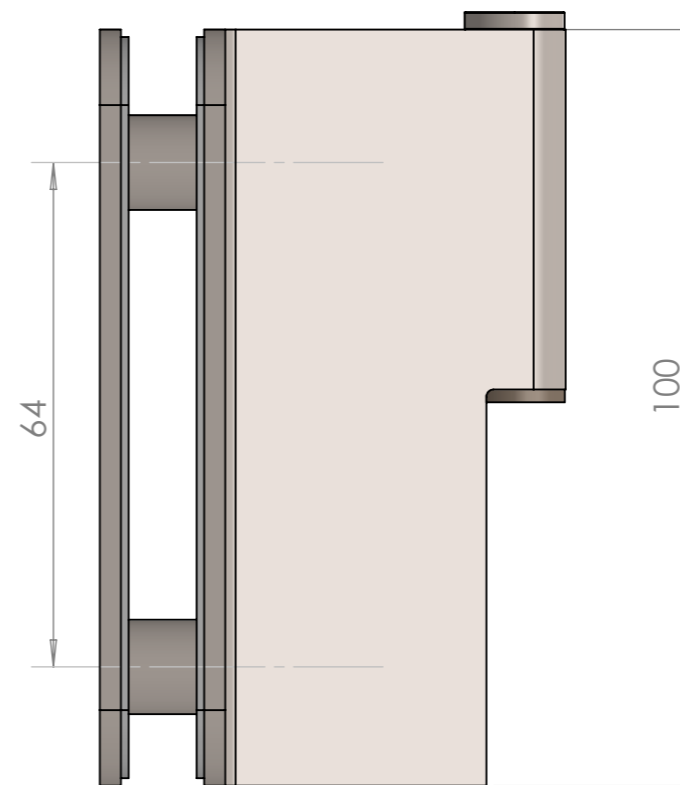
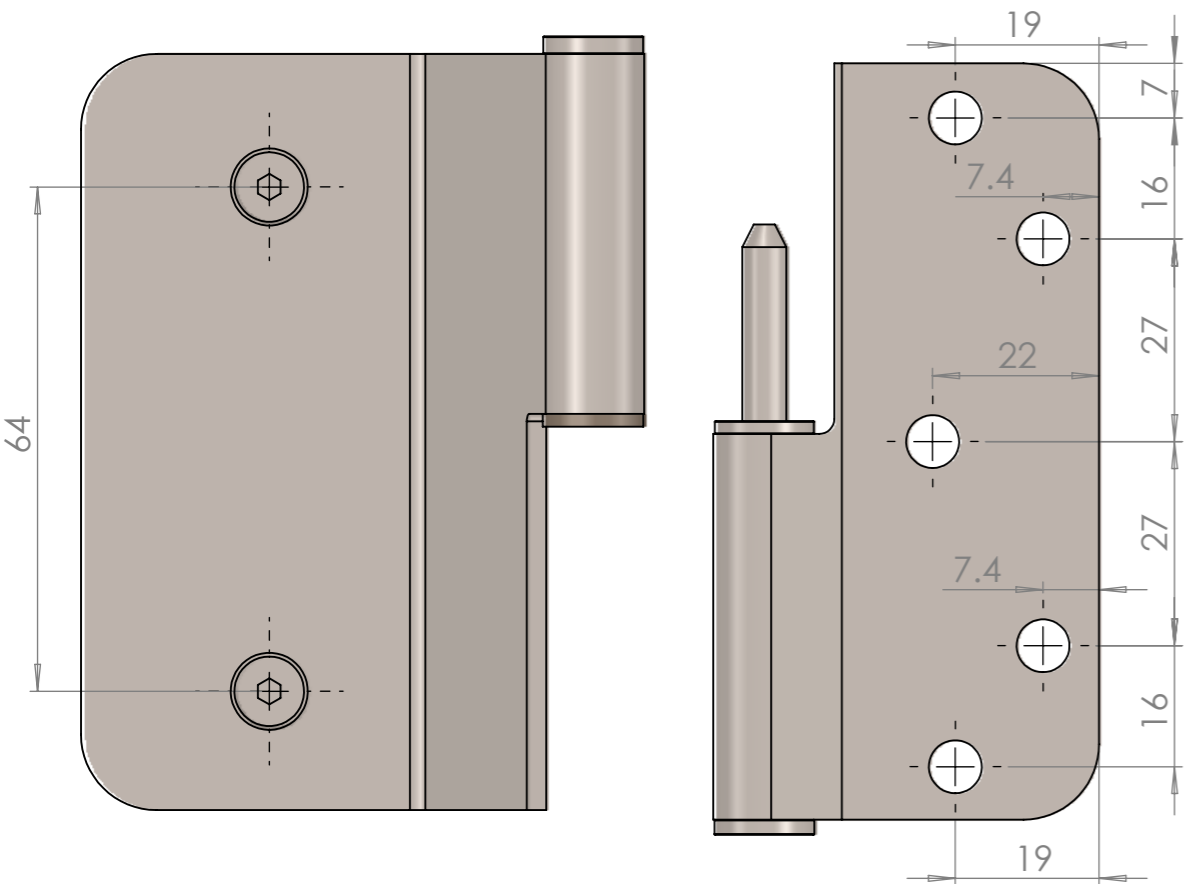
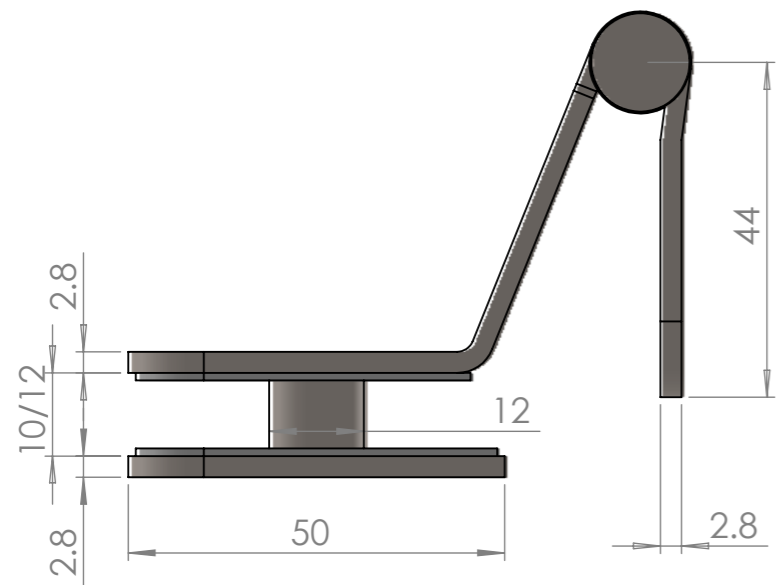
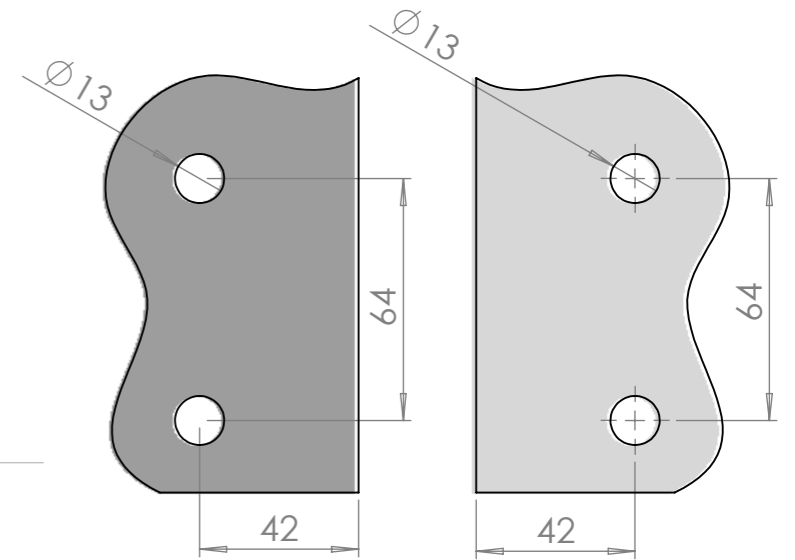
### Sheet Notes

- All dimensions are in mm unless otherwise stated
- Any dimensions scaled from this drawing are taken at readers own risk

### Product Key Features

Material Finish: 304 Grade Stainless Steel  
 Finish: Brushed  
 Handed: DIN R/L  
 Max Door Weight: 3 Hinges = 80Kg

### Glass Preparation Details Scale 1:2



01483 568287 | 01483 540830  
 enquiries@vistaglassproducts.com

PRODUCT NAME: Lift-off Glass Hinge PART NO.: PL101R/L

DRAWING

SCALE: 1:1 SHEET SIZE: A3 DRAWN BY: BK CHECKED BY: MJ DATE: 20/05/13  
 PROJECT NO. DRAWING NO.