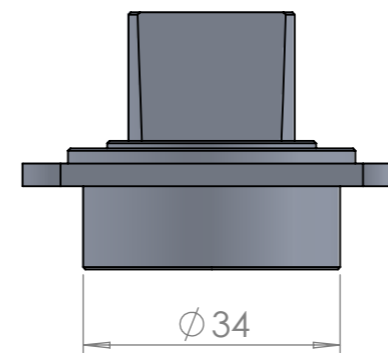
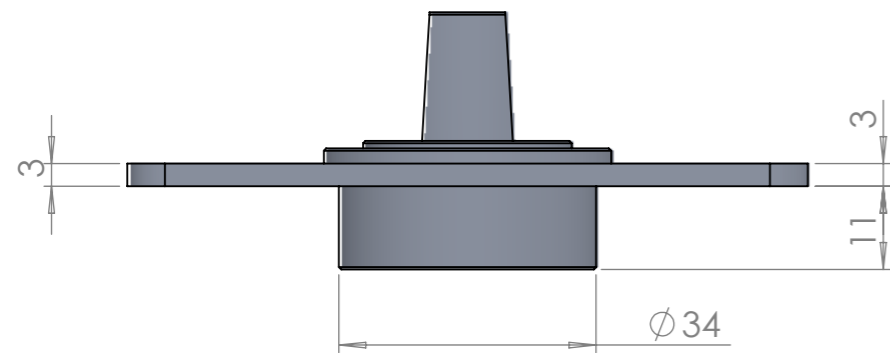
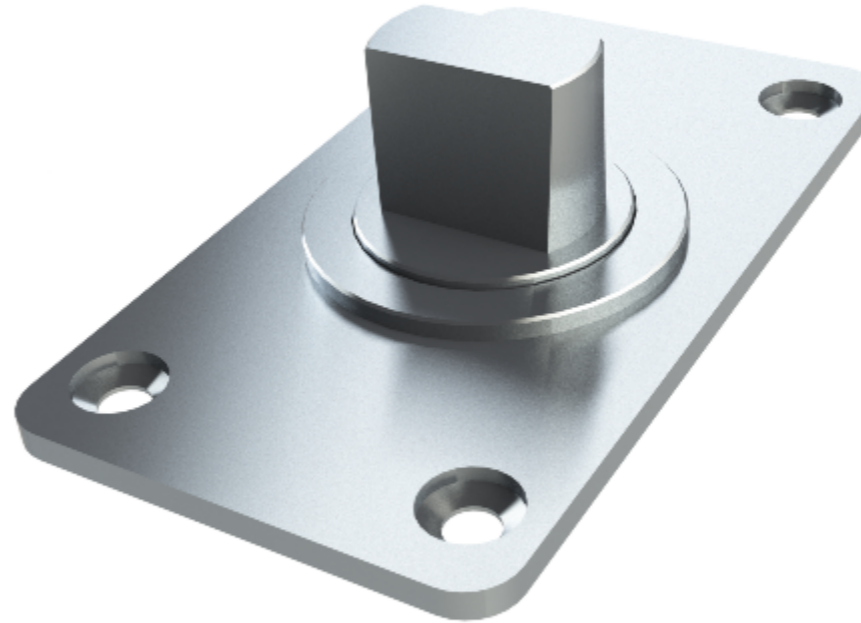
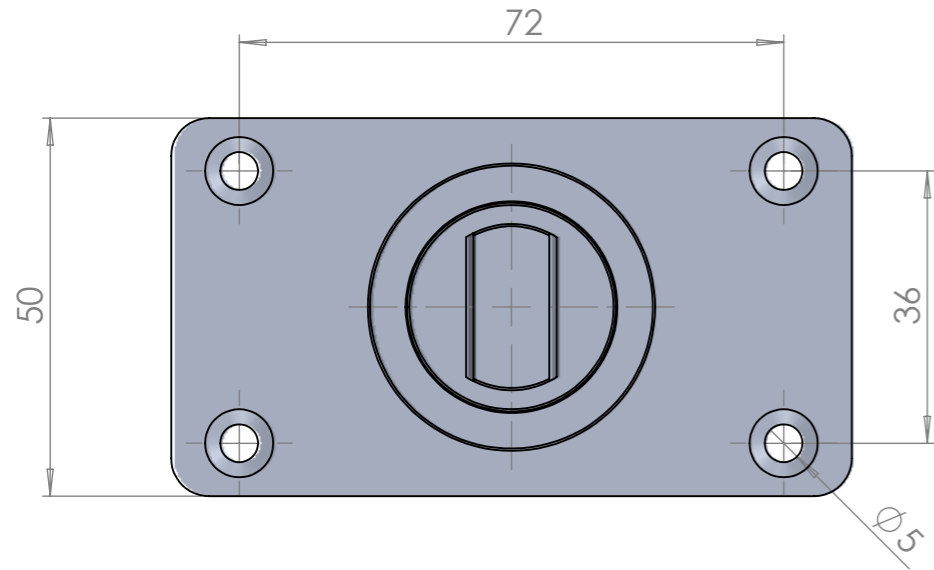


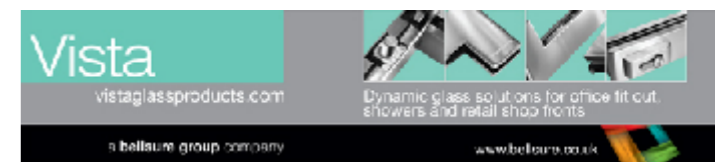
# Product Specification Sheet

## Accessories | Free Swing Pivot



### Sheet Notes

- All dimensions are in mm unless otherwise stated
- Any dimensions scaled from this drawing are taken at readers own risk



01483 568287 | 01483 540830  
enquiries@vistaglassproducts.com

PRODUCT NAME: <b>Free Swing Pivot</b>	PART NO. <b>PL4602</b>
--	---------------------------

DRAWING	
---------	--

SCALE: 1:1	SHEET SIZE: A3	DRAWN BY: BK	CHECKED BY: MJ	DATE: 20/05/13
PROJECT NO.	DRAWING NO.			