

# Product Specification Sheet

## Patches | Retailia Side/Overpanel Pivot Patch

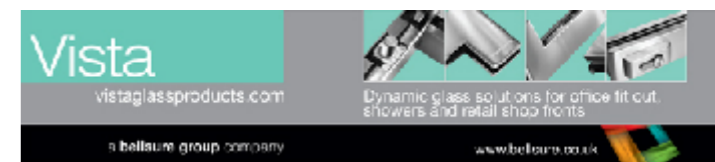
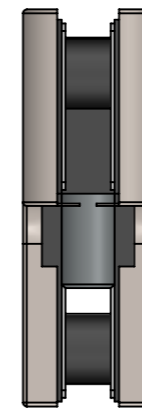
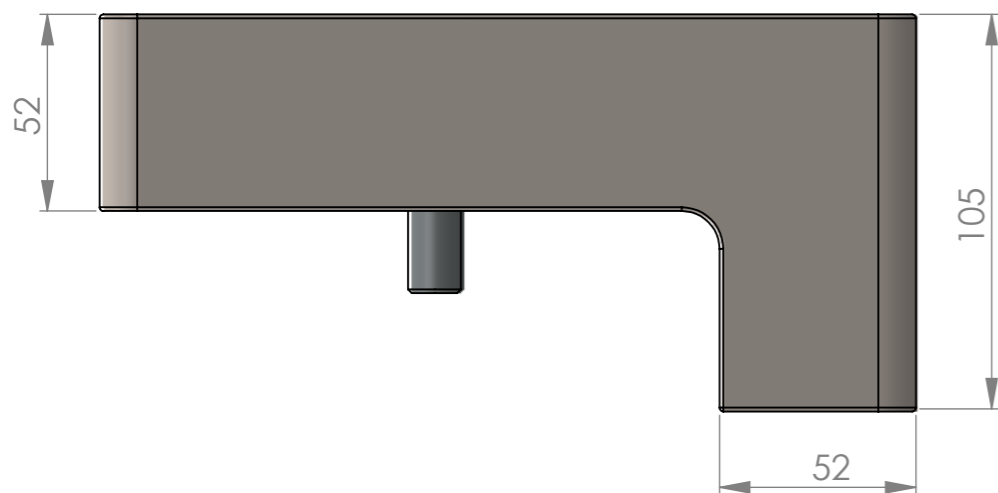
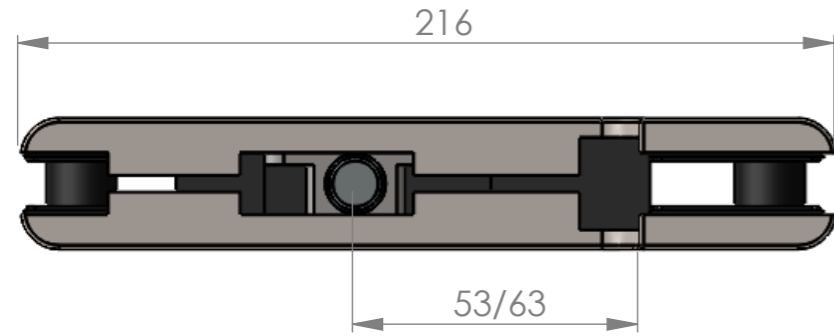
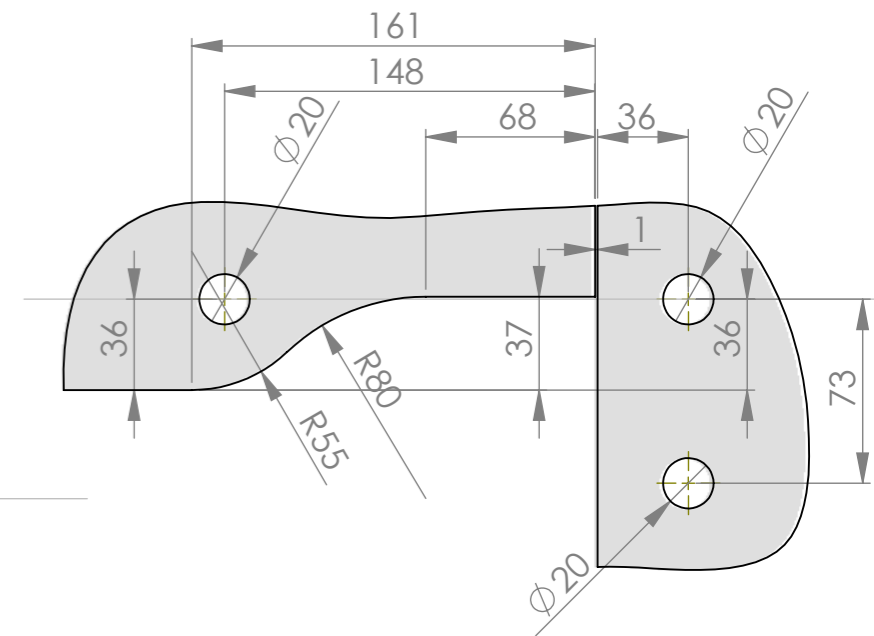
### Sheet Notes

- All dimensions are in mm unless otherwise stated
- Any dimensions scaled from this drawing are taken at readers own risk

### Product Key Features

Material Finish: Brushed/Polished Stainless Steel Grade 304  
 Handing: 120kg  
 Packaging: 1no.

### Glass Preparation Details Scale 1:3



01483 568287 | 01483 540830  
 enquiries@vistaglassproducts.com

PRODUCT NAME: <b>Side/Overpanel Pivot Patch</b>	PART NO. <b>GO.40</b>
DRAWING	

SCALE: 1:1 SHEET SIZE: A3 DRAWN BY: BK CHECKED BY: MJ DATE: 20/05/13  
 PROJECT NO. DRAWING NO.