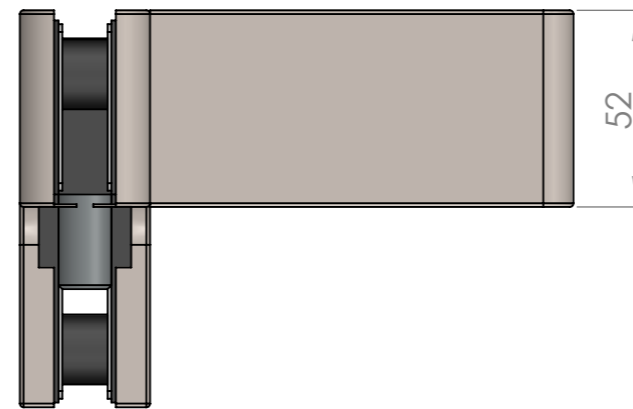
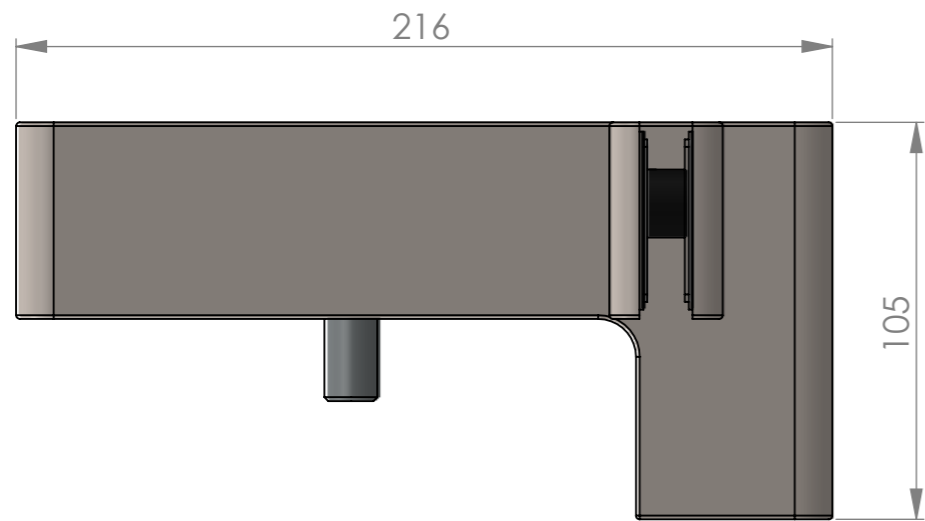
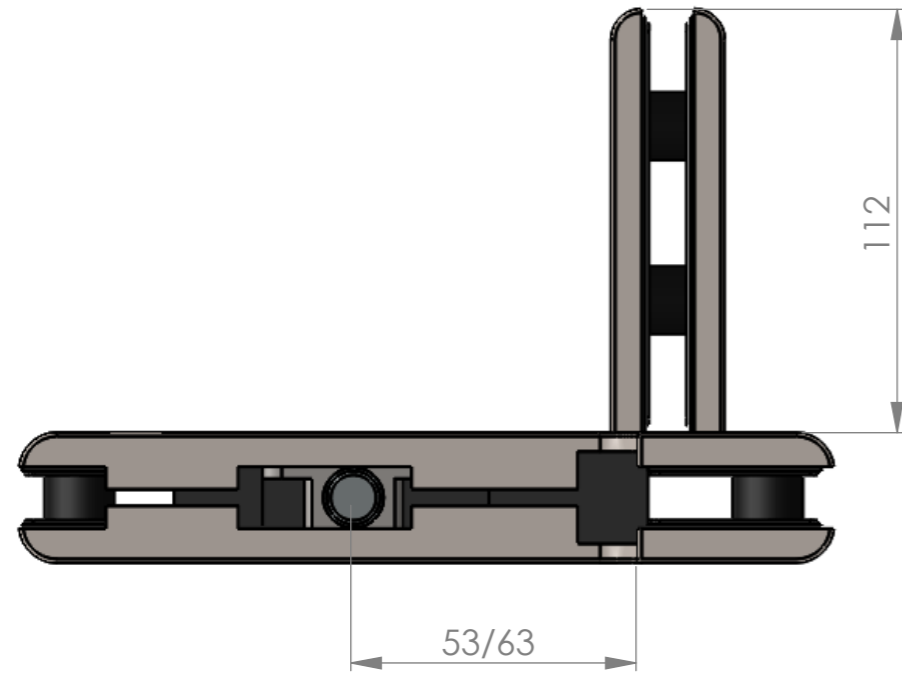


Product Specification Sheet

Patches | Retailia Side/Overpanel Pivot Patch c/w Fin



Sheet Notes

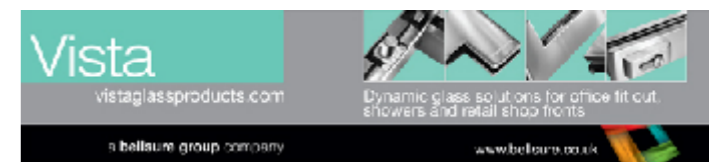
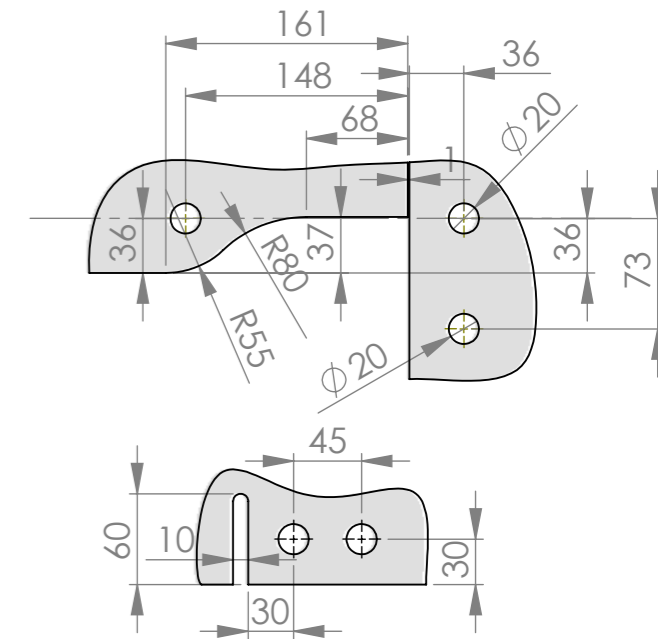
- All dimensions are in mm unless otherwise stated
- Any dimensions scaled from this drawing are taken at readers own risk

Product Key Features

Material Finish: Brushed/Polished Stainless Steel Grade 304
 Handing: DIN Left/Right
 Packaging: 1no.

Glass Preparation Details

Scale 1:3



01483 568287 | 01483 540830
 enquiries@vistaglassproducts.com

PRODUCT NAME: Side/Overpanel Pivot Patch c/w Fin	PART NO.: GO.41L/R
DRAWING	

SCALE: 1:2 SHEET SIZE: A3 DRAWN BY: BK CHECKED BY: MJ DATE: 20/05/13
 PROJECT NO. DRAWING NO.