

# Product Specification Sheet

## Pivot Patches | Primeline Overpanel Stop Patch

### Sheet Notes

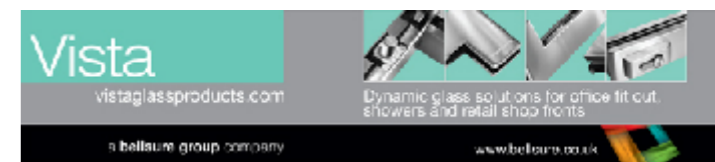
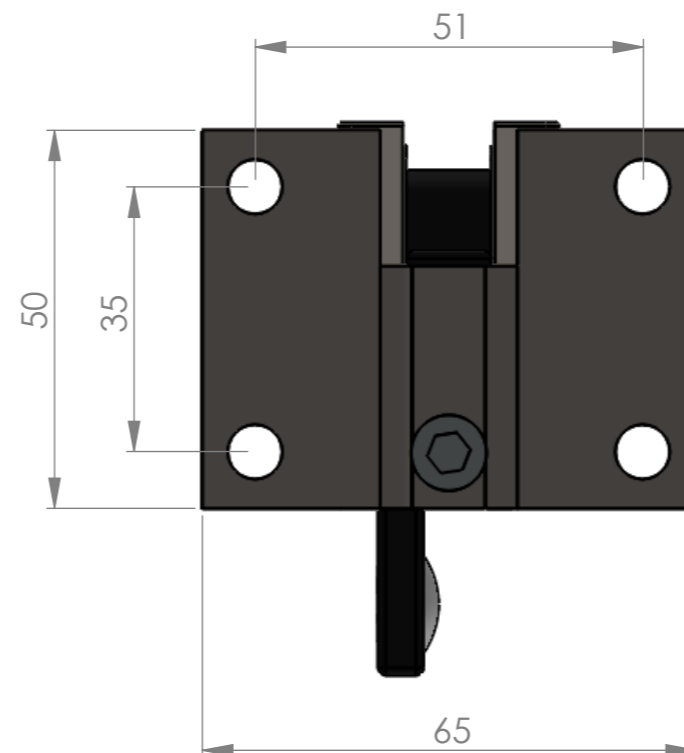
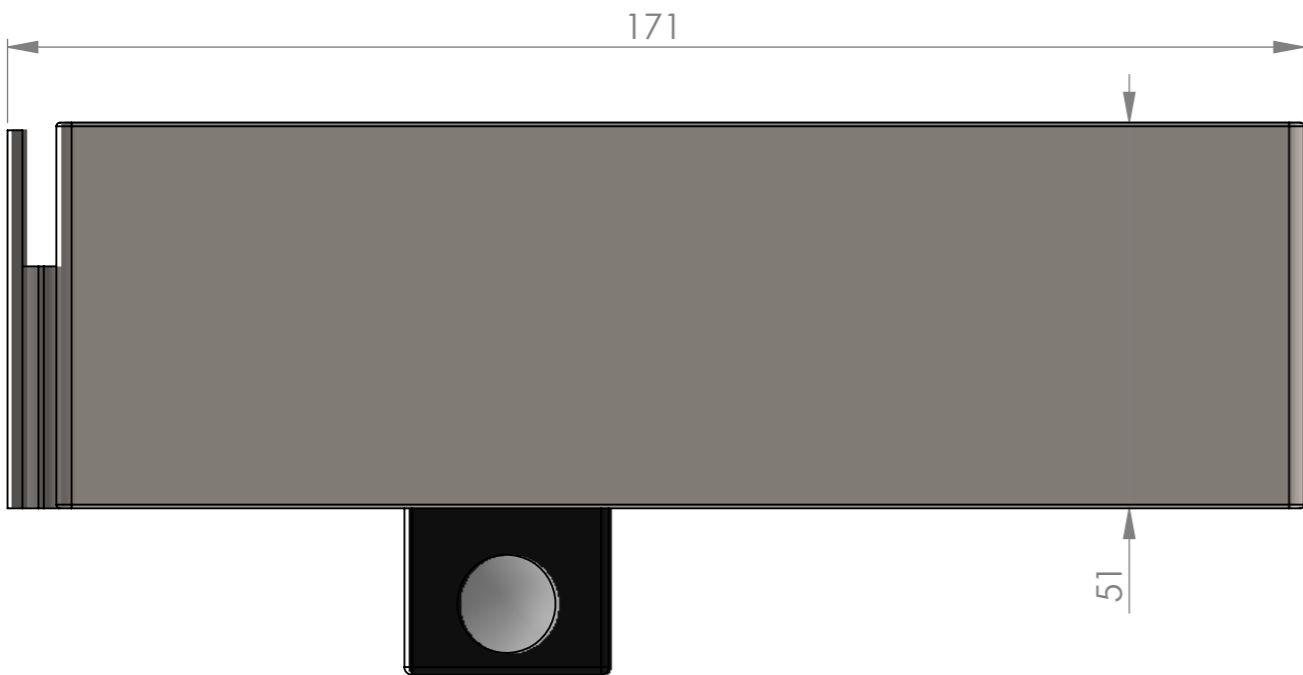
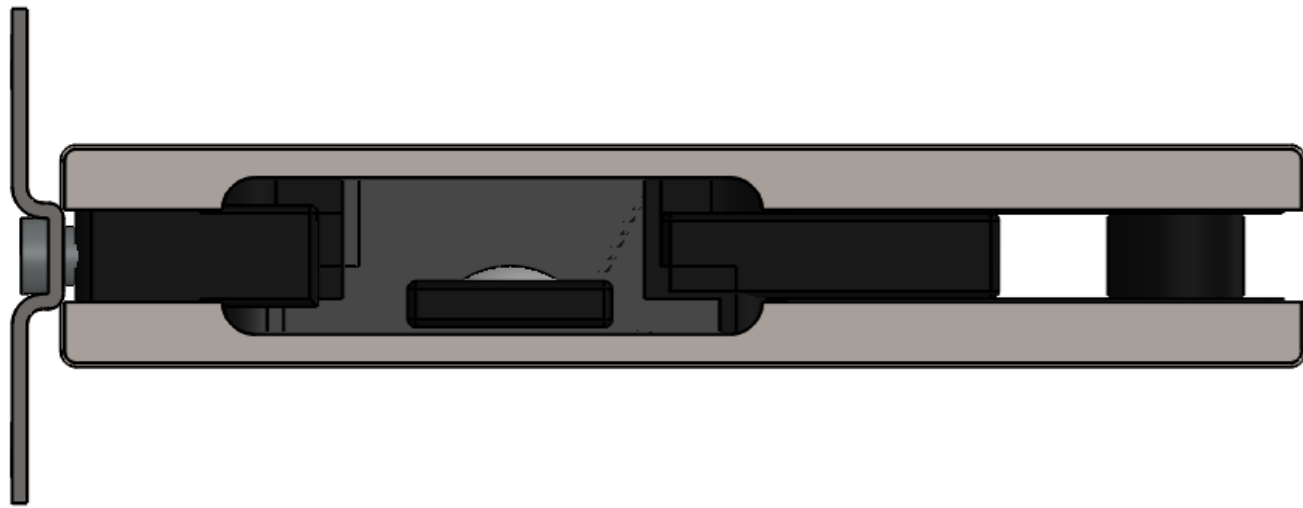
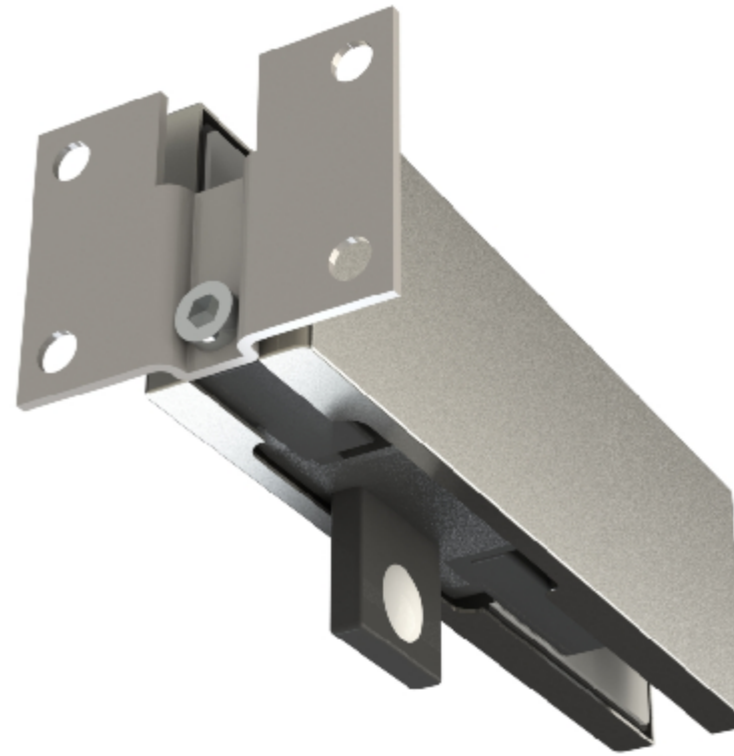
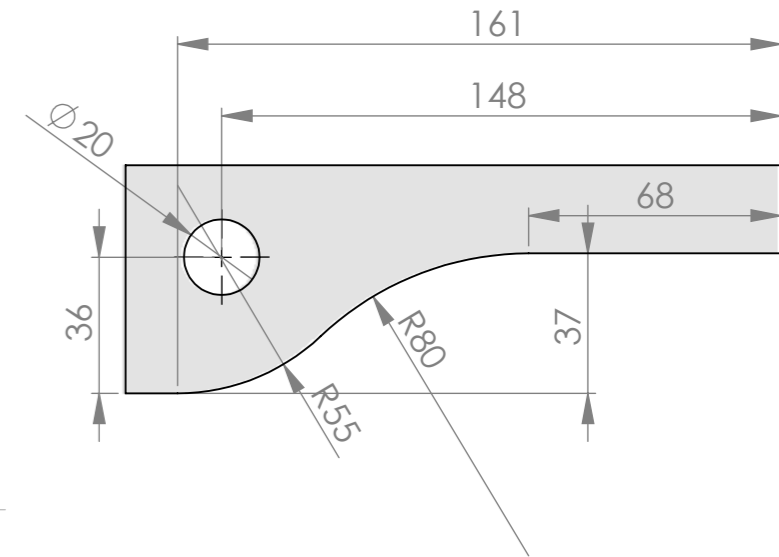
- All dimensions are in mm unless otherwise stated
- Any dimensions scaled from this drawing are taken at readers own risk

### Product Key Features

Material Finish: Brushed Stainless Steel  
 Handing: Non Handed  
 Packaging: Each

### Glass Preparation Details

Scale: 1:2



01483 568287 | 01483 540830  
 enquiries@vistaglassproducts.com

PRODUCT NAME: <b>Overpanel Stop Patch</b>	PART NO. <b>PL30.2</b>
DRAWING	

SCALE: 1:1 SHEET SIZE: A3 DRAWN BY: BK CHECKED BY: MJ DATE: 20/05/13  
 PROJECT NO. DRAWING NO.