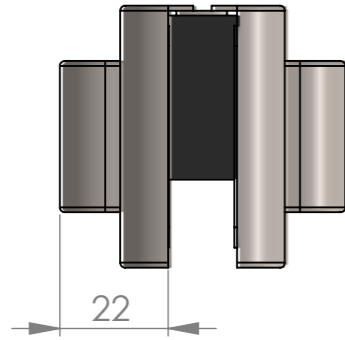


Product Specification Sheet

Locks | Retailia Centre Lock



Sheet Notes

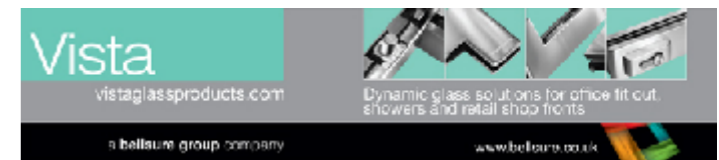
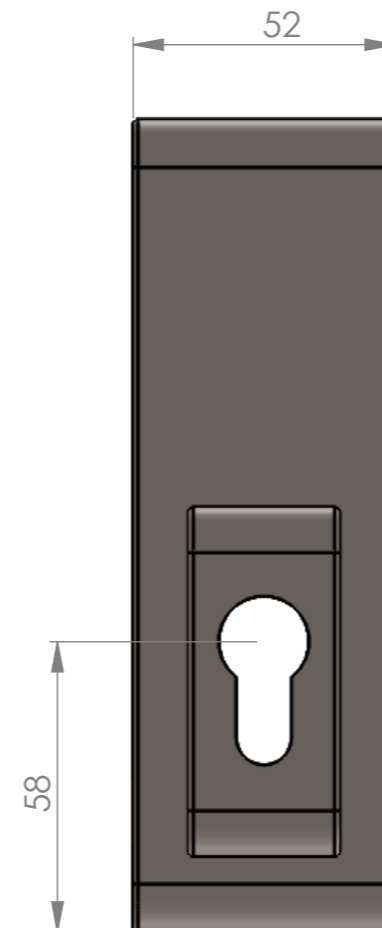
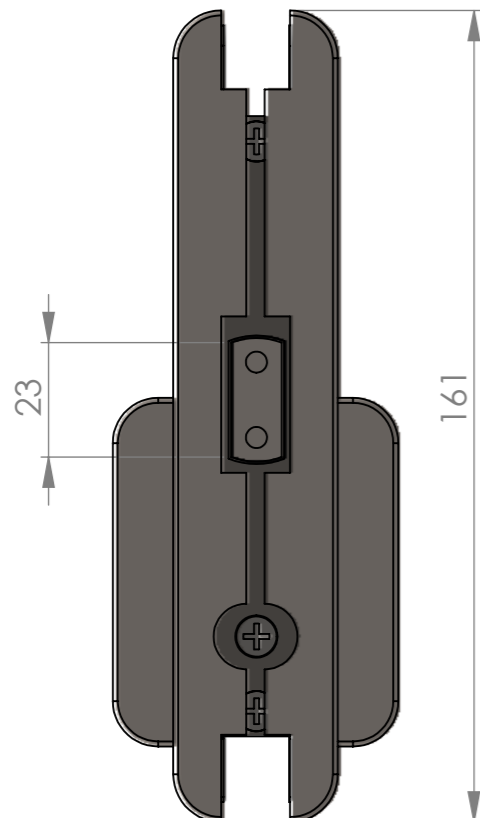
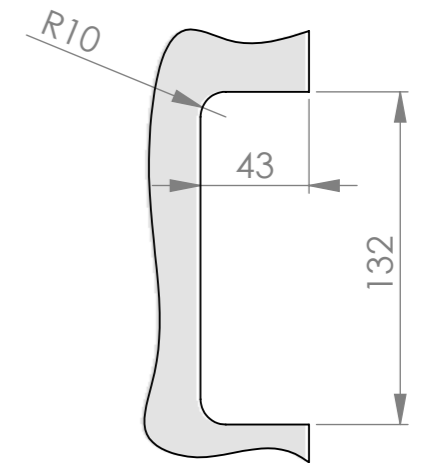
- All dimensions are in mm unless otherwise stated
- Any dimensions scaled from this drawing are taken at readers own risk

Product Key Features

Material Finish: Brushed/Polished Stainless Steel Grade 304
 Handing: Non Handed
 Packaging: 1no.

Glass Preparation Details

Scale 1:3



01483 568287 | 01483 540830
enquiries@vistaglassproducts.com

PRODUCT NAME: Centre Lock	PART NO. GOA.200
-------------------------------------	----------------------------

DRAWING

SCALE: 1:1	SHEET SIZE: A3	DRAWN BY: BK	CHECKED BY: MJ	DATE: 20/05/13
PROJECT NO.	DRAWING NO.			