

OCFH-100
CONCEALED FLOOR SPRING

Product Specification

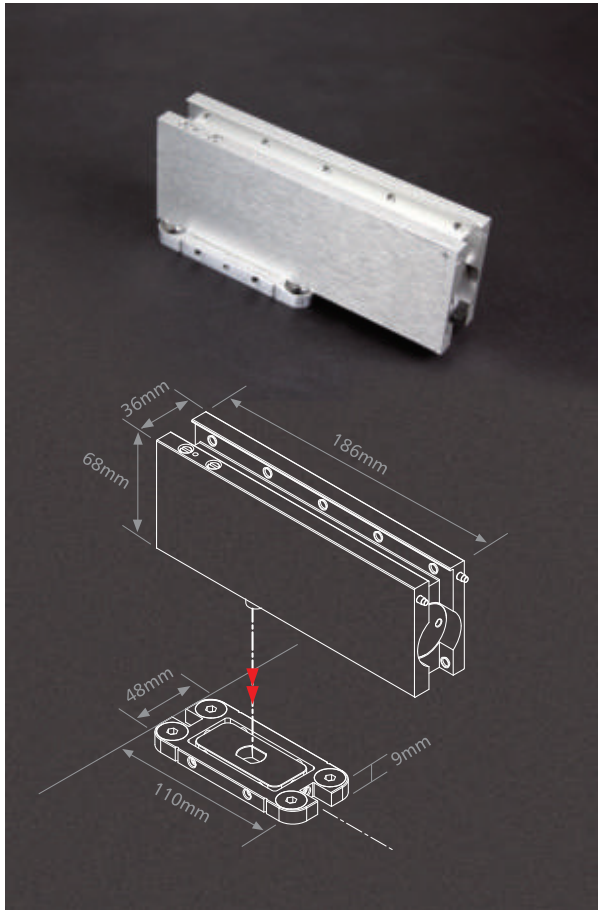
- Suitable door weight: Max 100kg
- Suitable door width: 750~1000mm
- Suitable door thickness: 8~13mm
- Ambient temperature: -20°C~+50°C
- Quick and easy installation
- Compliant as per **EN1154** European Standards



WORLD-WIDE PATENTING

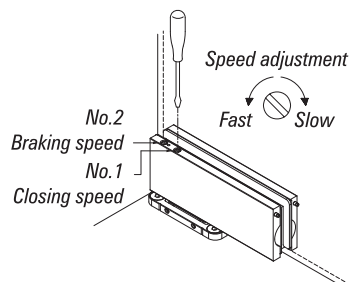
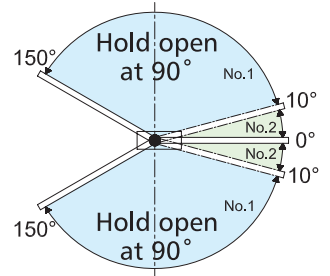
OCFH-100

CONCEALED FLOOR SPRING
FOR GLASS DOORS



1

Max. opening angle: 150° for
left and right opening (double action)
Hold open at 90°

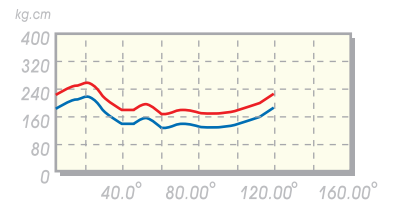


2

Two speed adjustment
Closing Speed (150° ~ 10°)
Braking speed (10° ~ 0°)

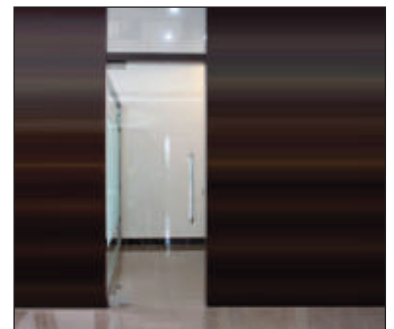
3

With high efficiency over
70%, light opening yet with
smooth closing



Quick and easy installation with smooth movement

- No need to have the pre-set on the floor
- Easy installation with base seat adjustable
±3mm backward and forward
±3mm left and right, and for 4° alignment adjustment



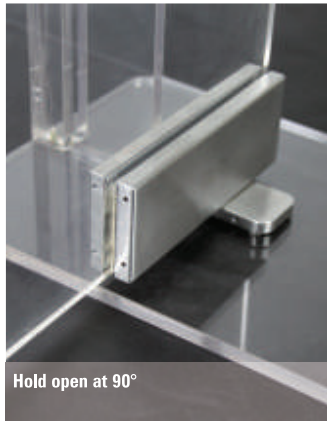
DATA AND FEATURES

Suitable door width	door weight	Item No.
750~1000mm	≤ 100kg	OCFH-100
Body dimensions (mm)	Length	186
	Width	68
	Thick	36
Angle of opening		150°
Closing speed adjustable		✓
Braking speed adjustable		✓
Non Handed		✓

✓ =yes x=no

Finish

SSS Satin finish.



We at OZONE are known for our Door Control devices and solutions. A constant endeavor to upgrade and innovate has made us a successful name worldwide.

The manufacturing process of our Door Control devices employs high-precision CNC computer-controlled robotics, combined with automation and technical know-how under a strict quality check system. The products conform to International Standards of fire and safety and also meet ISO 9001 & British BSI standards for its quality management systems.

Ozone Plus is our latest and most innovative offering till date. This revolutionary fitting is a Bottom Patch fitting used in frameless glass doors with an in-built hydraulic system. Therefore the fitting does not require any floor spring to move the door and omits the requirement of a preset (cut required for mounting a floor spring) on the floor. This makes the door installation very easy and also makes possible a clean seamless floor.

Ozone Plus is compliant as per EN 1154 European Standards and is tested for long life and remarkable performance making it our latest contribution for achieving 

OCFH-100

HYDRAULIC PATCH



Installation manual

OCFH-100

For glass doors

	<p>Glass Cutout</p>	<p>Unit: mm</p>
	<p>Unit: mm</p>	

<p>Door adjustment</p> <p>Both top patch and concealed floor spring should be aligned</p>	<p>Speed adjusting valve Fast Slow No.2 Brake Speed No.1 Closing Speed No.1 No.2 No.1 No.2 No.1 No.2</p>

OCFH-W-100

For wooden doors

<p>Ensure that top centre is properly aligned with floor hinge</p> <p>Unit: mm</p>	

<p>Door adjustment</p>	<p>Speed adjusting valve Fast Slow No.2 Brake Speed No.1 Closing Speed No.1 No.2 No.1 No.2 No.1 No.2</p>