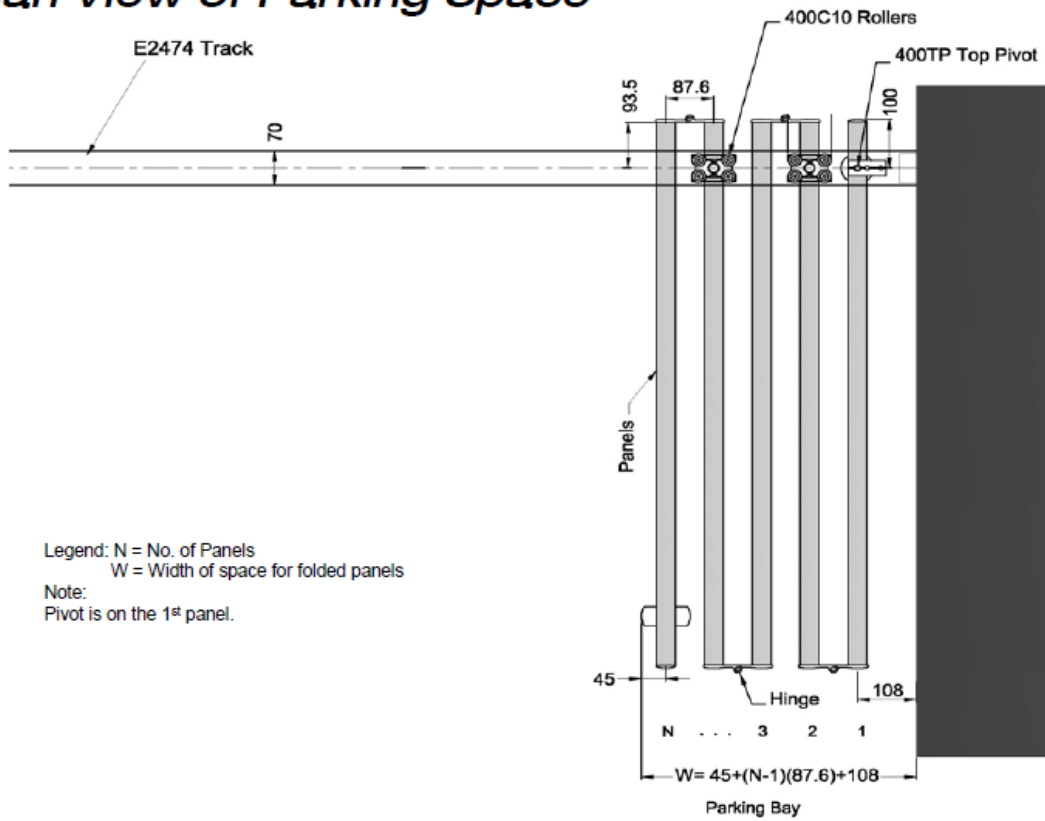


# Entrance Systems

## SLF400 Slide and Fold Glass Panel System

### Plan View of Parking Space



All Rights Reserved – Dimensions Tolerances & Specifications

# Entrance Systems

## SLF400 Slide and Fold Glass Panel System

### Cross Section with DRM80 Rails

SLF400 with DRM80 Rails is available with the following components:

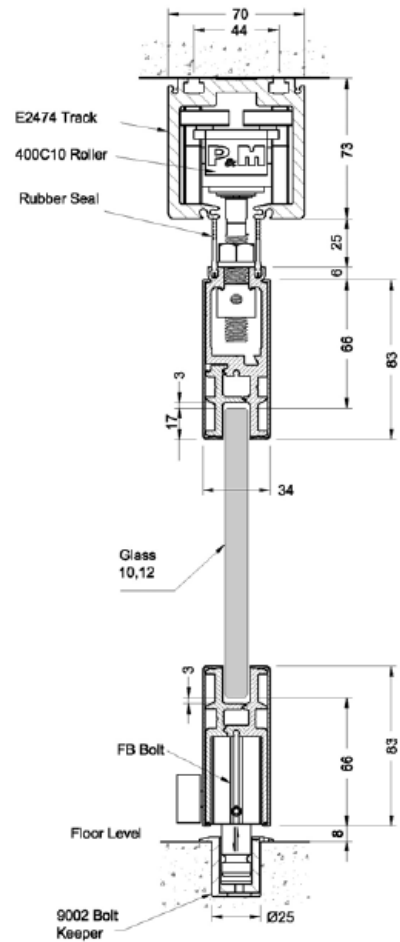
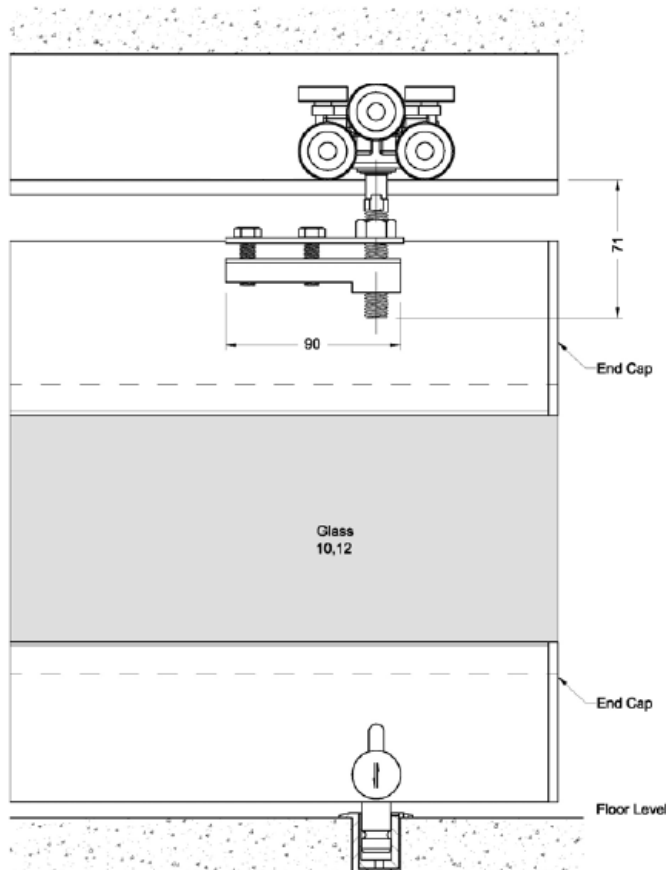
- Main Top Track
- Sliding Door Panels comprising of:
  - DRM80 Top & Bottom Rails (1set / panel)
  - 10pt Carriage Rollers (1no / alternate panel)
  - Hinge
  - Rubber Seals
  - Flush Bolts
  - End Caps
  - Bolt Keepers
- Swing Door Panels comprising of:
  - DRM80 Top & Bottom Rails (1set / panel)
  - Hinge
  - Top Pivot / End Stopper
  - Bottom Pivot
  - Rubber Seals
  - Euro-profile Key / Thumb Turn Cylinders
  - Lock Bolt
  - End Caps
  - Bolt Keeper

Upon order, please specify the following:

- Length of Rails  
(Glass panel width is required)
- Door Rails Covers  
Aluminium Snap-On (Natural Anodised)  
Stainless Steel (Polish/Satin)
- Glass Thickness  
(10 / 12mm)
- Key Combinations  
(Independent / Key-Alike)

Note:

- Total number of panels per system is determined by:  
Total clear opening width  
Per glass panel width (ne: 1000mmL)
- SS316 stainless steel cover is available subject to availability.



All Rights Reserved – Dimensions Tolerances & Specifications

# Entrance Systems

## SLF400 Slide and Fold Glass Panel System

### Cross Section with DRM100 Rails

SLF400 with DRM100 Rails is available with the following components:

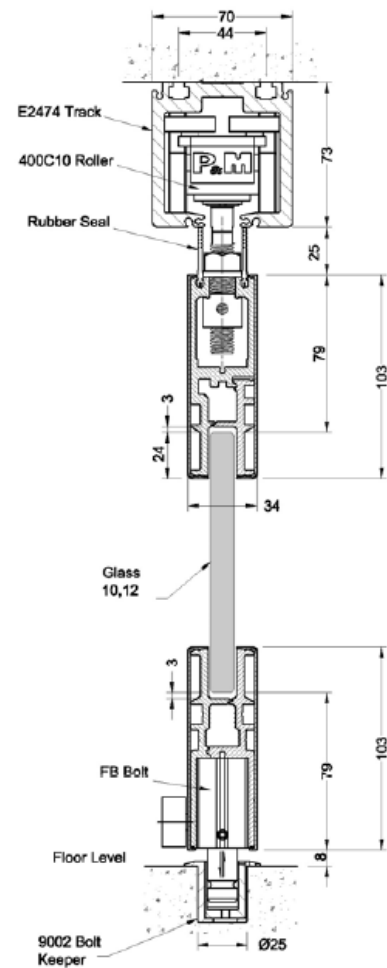
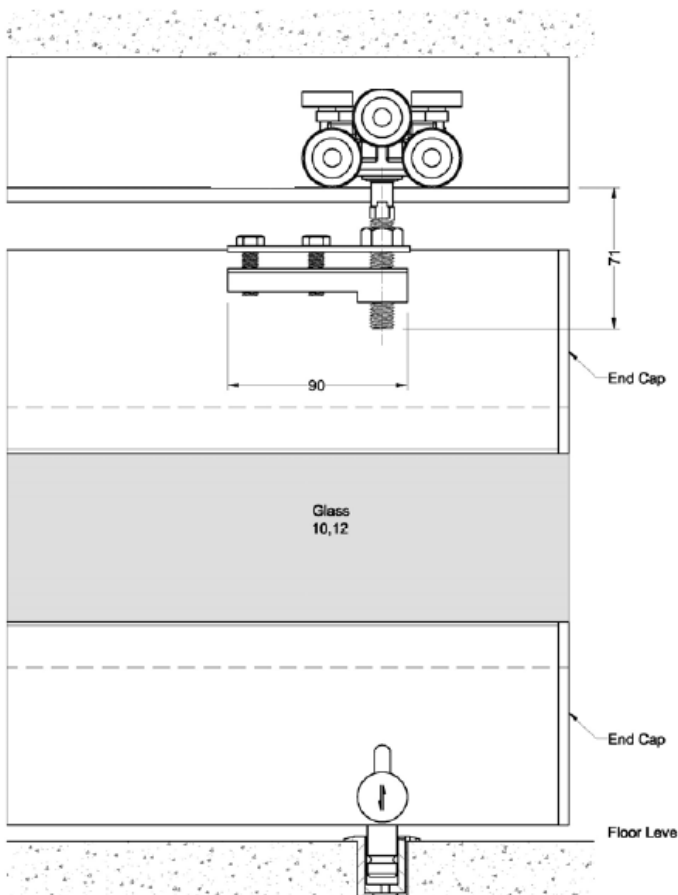
- Main Top Track
- Sliding Door Panels comprising of:
  - DRM100 Top & Bottom Rails (1set / panel)
  - 10pt Carriage Rollers (1no / alternate panel)
  - Hinge
  - Rubber Seals
  - Flush Bolts
  - End Caps
  - Bolt Keepers
- Swing Door Panels comprising of:
  - DRM100 Top & Bottom Rails (1set / panel)
  - Hinge
  - Top Pivot / End Stopper
  - Bottom Pivot
  - Rubber Seals
  - Euro-profile Key / Thumb Turn Cylinders
  - Lock Bolt
  - End Caps
  - Bolt Keeper

Upon order, please specify the following:

- Length of Rails  
(Glass panel width is required)
- Door Rails Covers  
Aluminium Snap-On (Natural Anodised)  
Stainless Steel (Polish/Satin)
- Glass Thickness  
(10 / 12mm)
- Key Combinations  
(Independent / Key-Alike)

Note:

- Total number of panels per system is determined by:  
Total clear opening width  
Per glass panel width (ne: 1000mmL)
- SS316 stainless steel cover is available subject to availability.



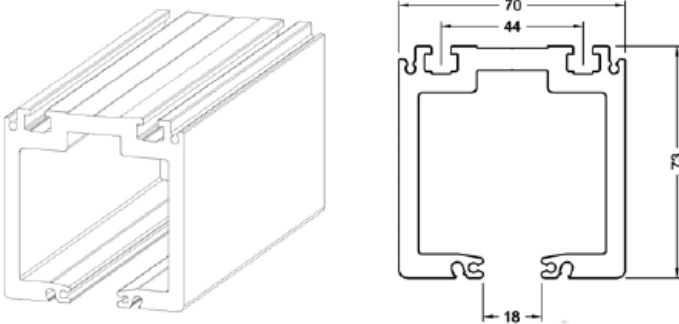
All Rights Reserved – Dimensions Tolerances & Specifications

# Entrance Systems

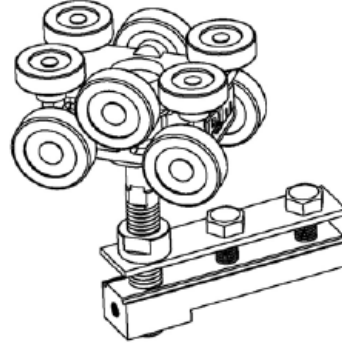
## SLF400 Slide and Fold Glass Panel System

### Accessories

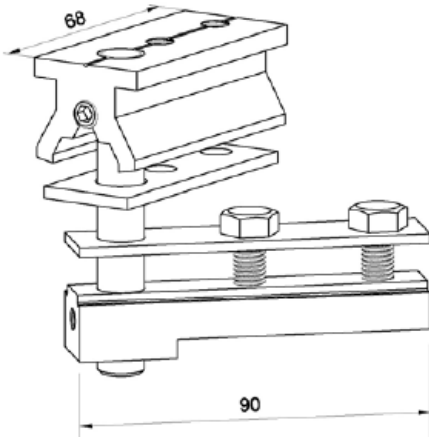
**E2474 – Main Top Track**



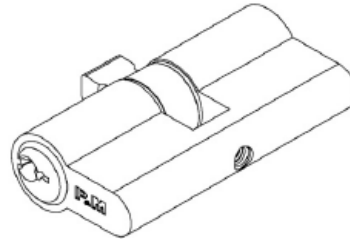
**400C10 – 10pt Carriage Roller with Slider**



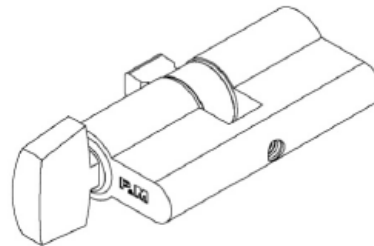
**400TP – Top Pivot with Slider**



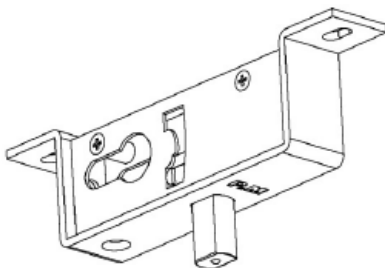
**PM88 – Euro-Profile Key Cylinder**  
Available Length : (62mm; 42mm)



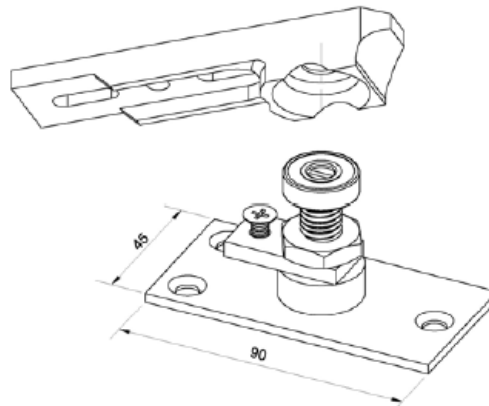
**PM88T- Thumb Turn & Key Cylinder**  
Available Length : (62mm, 28mm Thumb Turn Only)



**PL2 – Lock Bolt**



**PD16 – Bottom Pivot**



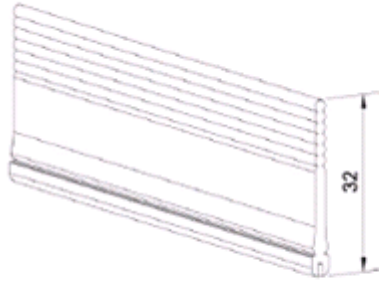
All Rights Reserved – Dimensions Tolerances & Specifications

# Entrance Systems

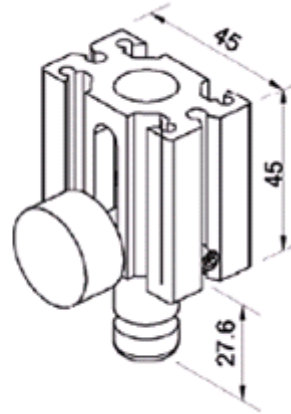
## SLF400 Slide and Fold Glass Panel System

### Accessories

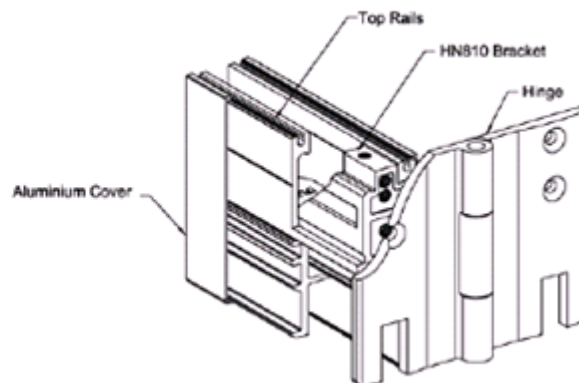
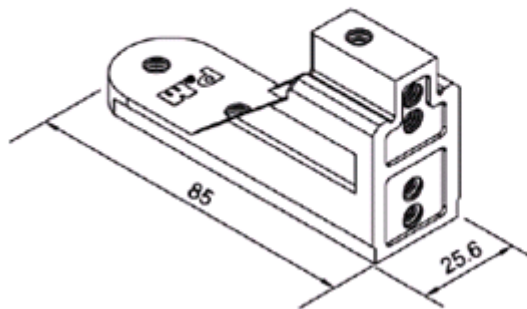
7322 – Rubber Seal



FB-Front Flush Bolt



HN-810 Bracket

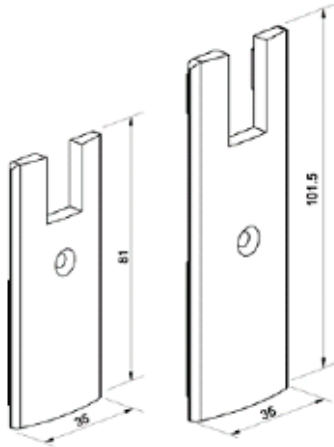


# Entrance Systems

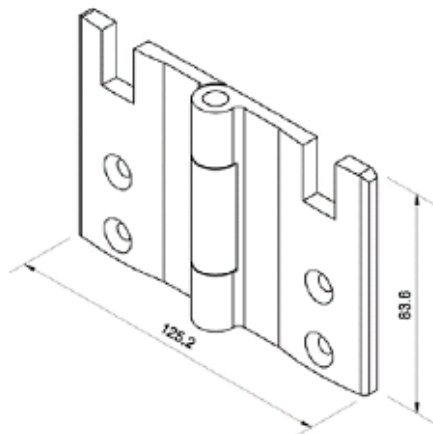
## SLF400 Slide and Fold Glass Panel System

### Accessories

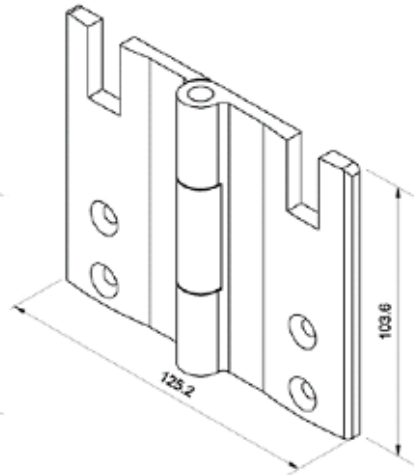
End Caps (DRM80 & DRM100)



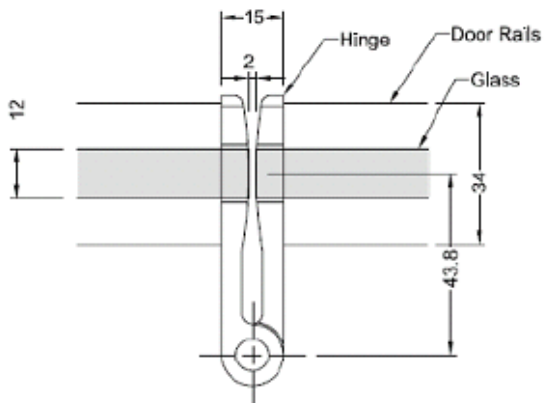
HN80 – Hinge (DRM80)



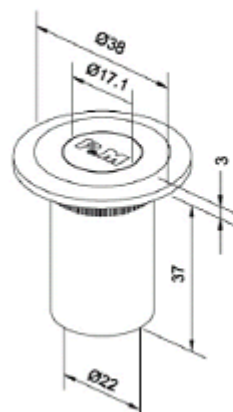
HN100 – Hinge (DRM100)



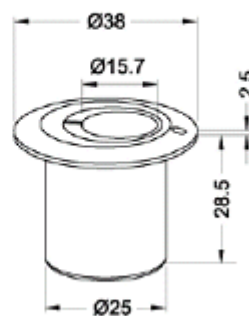
Glass Gap Between Folding Hinge (HN80 / HN100)



9001WS – Bolt Keeper with Spring



9002 – Eccentric Bolt Keeper



All Rights Reserved – Dimensions Tolerances & Specifications